

NIKKON S7019 Floodlight



Order Code:

Model	Lamp Type	Lamp Holder	Order Code
S7019 MH 1000W	Tubular	E40	S7019 – M1000
S7019 HPS 1000W	Tubular	E40	S7019 – S1000
Accessories	Housing Material	IP Rated	Order Code
Remote Control Gear (MH 1000W)	Die – cast aluminium	IP 65	S5100 UA – M1000
Remote Control Gear (HPS 1000W)	Die – cast aluminium	IP 65	S5100 UA – S1000

Note: Specification is subject to change without prior notice.

Technical data:

Ingress Protection

- IP65

Voltage

- 220 ~ 240 Vac 50Hz

Lamp Wattage

- MH 1000W & HPS 1000W

Holder Type

- E40 Ceramic Lamp Holder

Max. Weight

- 11.0 kg

Control Gear Weight

- S5100 – UA : 11.5kg



Features:

Body Frame / Color

- Full aluminium extruded through high pressure Die-cast with **AKzo Nobel Interpon** outdoor epoxy powder coating.

- Dark grey colour.

Reflector

- High purity anodized polished aluminium deep draw reflector.

Glass

- Fixed thermal resistant tempered glass.

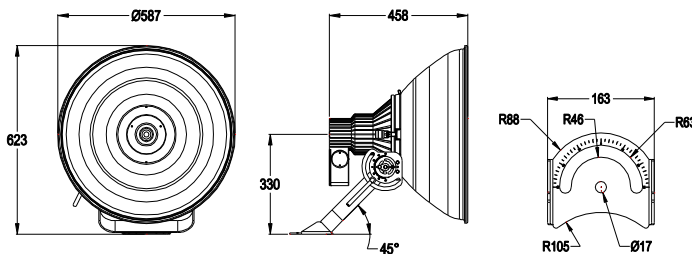
Mounting bracket

- Steel mounting bracket coated with epoxy powder attached with rotatable mounting bracket

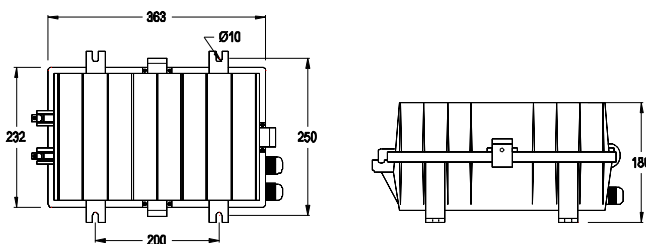
Rear cover

- Easy access to the lamp from the rear of the fitting

Dimension:

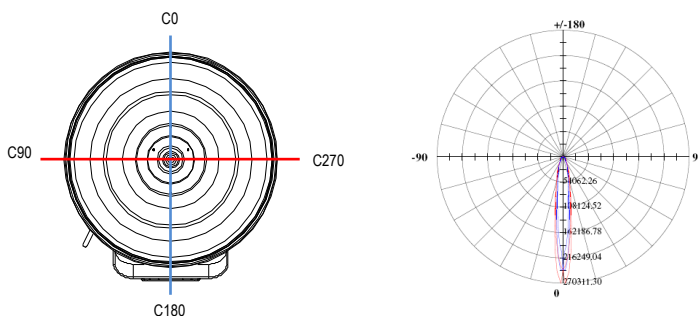


Accessories:



S5100 - UA

Photometric Curve:



Note: Photometric result tested based on 85000 lm MT1000A – BH / 67 clear tube.