

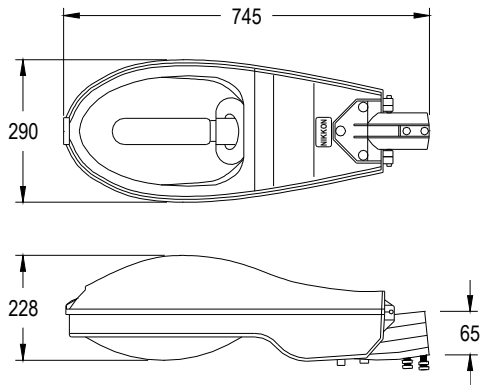


matching table:

Housing model	Lamp type	Lamp holder	Order code
S409 MH150W	Tubular	E40	S409-M0150
S409 MH250W	Tubular	E40	S409-M0250
S409 HPS150W	Tubular	E40	S409-S0150
S409 HPS250W	Tubular	E40	S409-S0250
S409 HPMV250W	Bulb	E40	S409-H0250
S409 HPMV400W	Bulb	E40	S409-H0400

Note: Specification is subject to change without prior notice.

dimension:



features:

Electrical system

- Built-in control gear suitable for HID lamps from 150W – 250W

Body frame

- Full aluminium extruded through high pressure die-cast with epoxy powder

Bowl

- Thermal resistant tempered Glass bowl

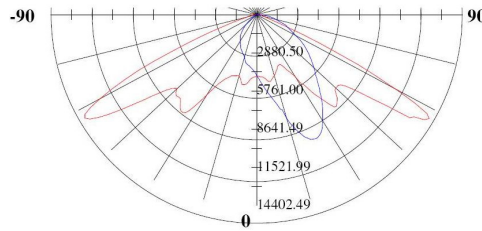
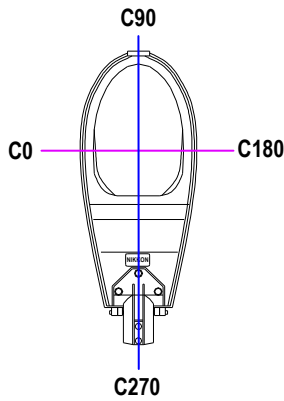
Reflector

- Deep draw high purity anodized aluminium reflector

Spigot

- Universal attachment suitable for side entry mounting and post top mounting (upon request)

photometric curve:



NOTE: Photometric Result tested based on 27500lm HPS 250W Clear tube.

technical data:

- Ingress protection** : IP54 (gear & lamp compartment)
- Voltage** : 220 ~ 240 Vac 50Hz
- Lamp wattage** : 150W ~ 250W
- Spigot size** : 65mm
- Insulation class** : class 1
- Color of Housing** : Beige

