

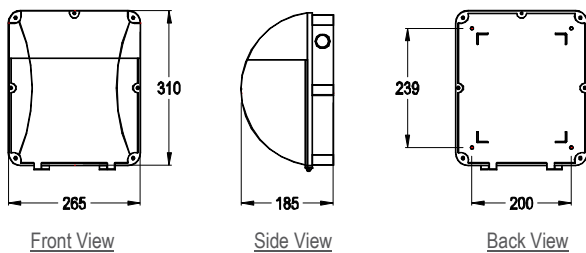
Suria Wall Light S1070



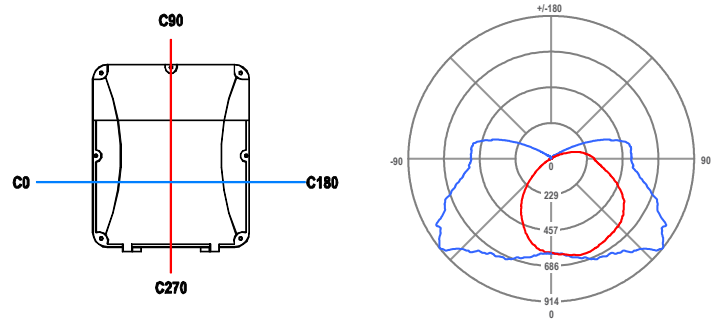
features:

Body is made of Aluminium die - casting. The diffuser is made of clear injection moulded polycarbonate with computer designed internal prism to provide a uniform light distribution in all directions. Via stainless steel screws system, the diffuser can be opened, but remains hinge to the body. The reflector is made of high purity anodized aluminium in order to maximize light output and efficiency.

dimension:



photometric Curve:



Note: Photometric result tested based on 5800lm HPS 70W coated bulb.

application:

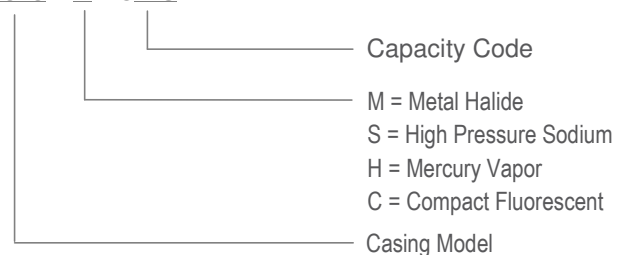
- Parking Lot
- Shopping Center
- Parks
- Exterior wall of buildings and any commercial or architectural walls.

technical Data:

- Ingress Protection : IP65
- Voltage : 220 ~ 240Vac 50/60Hz
- Lamp Type : PLCE lamp & HID lamp

key for standard order coding:

S1070 - H - 0125



order codes:

Model	Lamp Type	Lamp Holder	Ordering Code
S1070	Empty Body	E27	S1070 - EB
S1070 MH70W	Tubular / Bulb	E27	S1070 - M - 0070
S1070 HPS 70W	Tubular / Bulb	E27	S1070 - S - 0070
S1070 HPMV 80W	Bulb	E27	S1070 - H - 0080
S1070 HPMV 125W	Bulb	E27	S1070 - H - 0125
S1070 CFL 2 x 26W	Tubular	G24d-3	S1070 - C - 0226
S1070 CFL 2 x 18W	Tubular	G24d-2	S1070 - C - 0218

Note: • EB = Empty Body • Specification is subject to change without prior notice



NIKKON[®]
Light up the World