

AL 01000 Series Highbay



RAL22MFWR 22"
Reflector

order code:

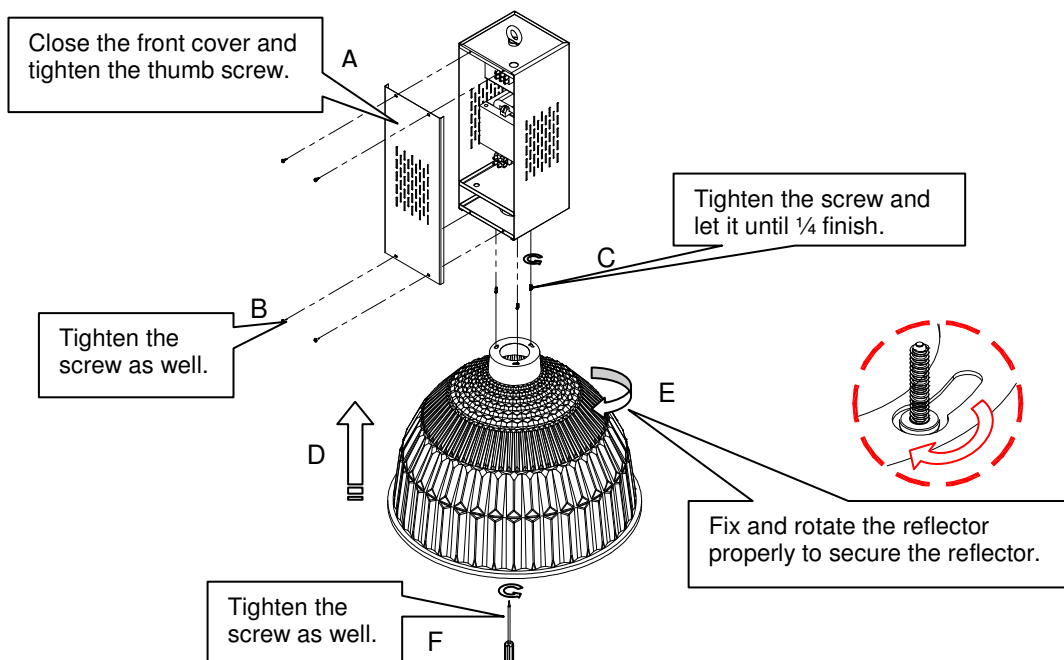
Casing Model	Lamp Wattage	Weight (kg)	Order Code
AL 01000 Highbay	MH 700W	12.5	AL 01000 – M0700
	MH 1000W	14.0	AL 01000 – M1000
	HPMV 700W	12.0	AL 01000 – H0700
	HPMV 1000W	13.5	AL 01000 – H1000

Reflector	Model	Weight (kg)	Order Code
AL Reflector	RAL22MFWR	1.5	RAL22MFWR

Attachment	Dimension (mm)	Weight (kg)	Order Code
Tempered Glass Visor	φ570 x 5	3.2	VGAL22MFW

Note: Specification is subject to change without prior notice. AL: Aluminium

installation diagram:



technical data:

Voltage:

- 220 ~ 240 Vac 50Hz / 60 Hz

Lamp Wattage

- 700 ~ 1000W

Holder Type

- E40 ceramic lamp holder

Color of housing

- Light grey

features:

Control Gear Housing

- High quality cold rolled steel complete with epoxy powder coating.

Reflector

- High purity anodized polished aluminium reflector.

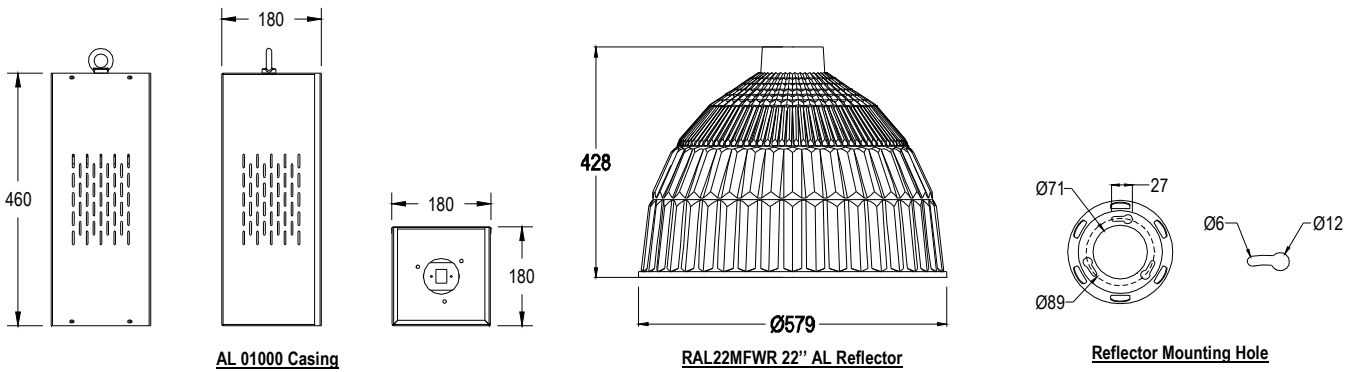
Tempered Glass

- Optional visor can be mounted onto the reflector to provide safety purpose when used in public areas.

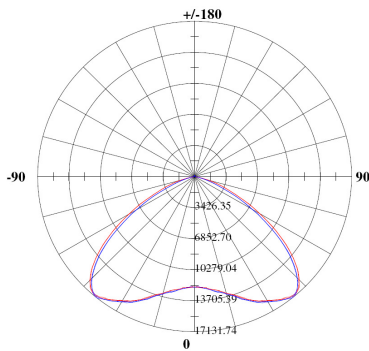
Others

- Ceramic lamp holder and thermal resistant fiber glass wire

dimension



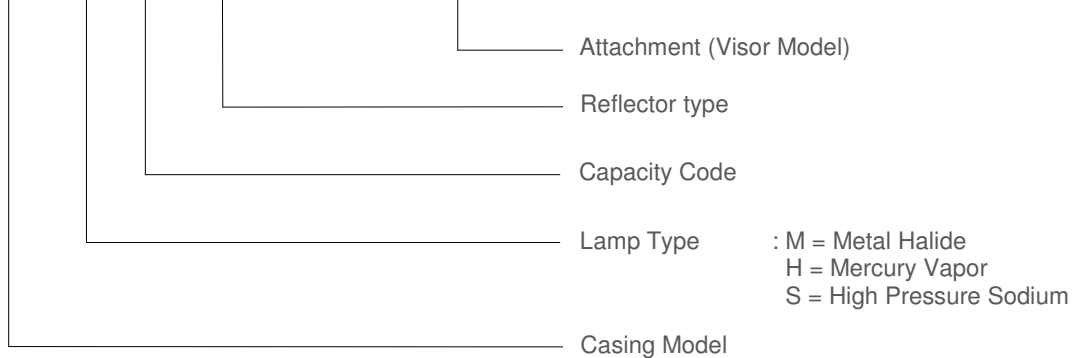
photometric curve:



NOTE: Photometric Result tested based on 87000lm MH 1000W Coated Bulb c/w RAL22MFWR 22" Aluminium Reflector

key for standard order coding:

AL 01000 - M - 1000 - RAL22MFWR + VGAL22MFWR



NIKKON®

Light up the World