

# QPS®

Automatic Voltage Stabilizer

## SINGLE PHASE SERVO-MOTOR SERIES



### General Data:

QPS Servo-Motor Automatic Voltage Stabilizer provides a continuous monitoring of the output voltage true RMS by means of an Electronic Control Circuit that compares the instantaneous output voltage with the set value. When changes are detected due to fluctuation of supply voltage or sudden change in load, an electrical signal will be transmitted to the servo-motor which is coupled onto the brush gear of the variable transformer causes the brush gear to rotate until the appropriate voltage is restored. This method of stabilization does not create interference or harmonics in the supply system.

### Application:

- ❖ CNC wire-out / EDM
- ❖ CNC drilling machine
- ❖ CNC milling machine
- ❖ X-Ray equipment
- ❖ Industrial robots
- ❖ Communication system
- ❖ Test equipment
- ❖ Medical equipment
- ❖ LAB equipment

*Specifications are subject to change without prior notice.*

*Quality Products & Services*

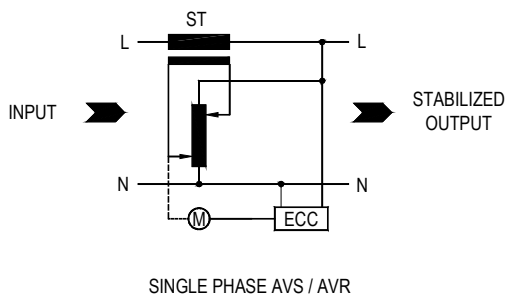
## Technical Specification:

	1-SINGLE PHASE
Input Voltage	230Vac $\pm$ 15%
Output Voltage (true RMS)	230VAC $\pm$ 1.5%
Rated KVA	1KVA – 30KVA
Output Waveform / Distortion	Sinewave / Follow Input
Response Time	0.05 ~ 0.07 Sec / V
Frequency	50 / 60Hz
Efficiency	> 95%
TVSS Protection (surge)	Standard
Over Current Protection	MCB / MCCB
Phase Loss Sensing Protection	Phase Sensing Relay / Optional
Automatic Output Delay ON System	Time Delay / Optional
Operating Temperature	0°C – 45°C

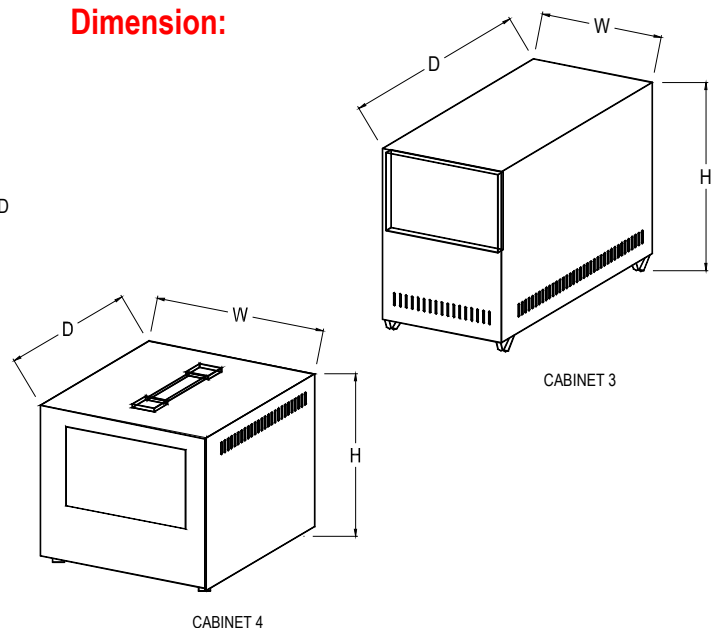
## Single Phase 230Vac Automatic Voltage Stabilizers Model:

Models	Cabinet	Rated Output KVA	Input Variation (%)	Rated Current (A)	Output Accuracy	Dimensions (mm) H x W x D	Weight (Kgs)
S1 – 2	4	1	$\pm$ 15%	4	$\pm$ 1.5%	260 x 280 x 335	12
S2 – 2	4	2	$\pm$ 15%	9	$\pm$ 1.5%	260 x 280 x 335	14
S3 – 2	4	3	$\pm$ 15%	13	$\pm$ 1.5%	260 x 280 x 335	22
S4 – 2	4	4	$\pm$ 15%	17	$\pm$ 1.5%	260 x 280 x 335	23
S5 – 2	3	5	$\pm$ 15%	22	$\pm$ 1.5%	275 x 260 x 500	34
S7 – 2	3	7.5	$\pm$ 15%	33	$\pm$ 1.5%	380 x 265 x 560	45
S10 – 2	3	10	$\pm$ 15%	43	$\pm$ 1.5%	380 x 265 x 560	49
S15 – 2	3	15	$\pm$ 15%	65	$\pm$ 1.5%	380 x 265 x 560	54
S20 – 2	3	20	$\pm$ 15%	87	$\pm$ 1.5%	380 x 265 x 560	63
S25 – 2	3	25	$\pm$ 15%	109	$\pm$ 1.5%	640 x 400 x 375	75
S30 – 2	3	30	$\pm$ 15%	130	$\pm$ 1.5%	640 x 400 x 375	84

## Voltage Stabilizer Block Diagram:



## Dimension:



*Specifications are subject to change without prior notice.*

*Quality Products & Services*